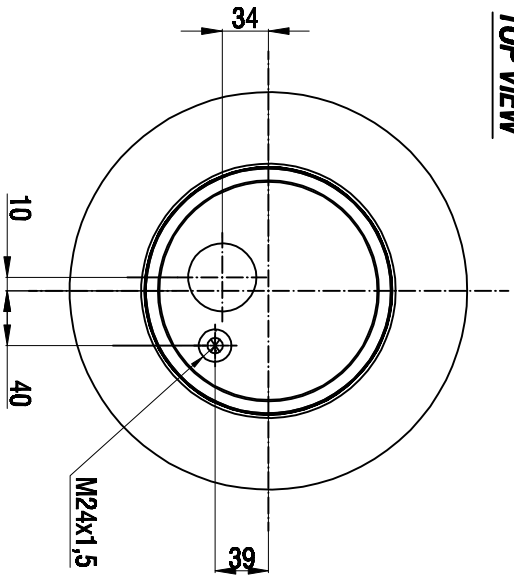
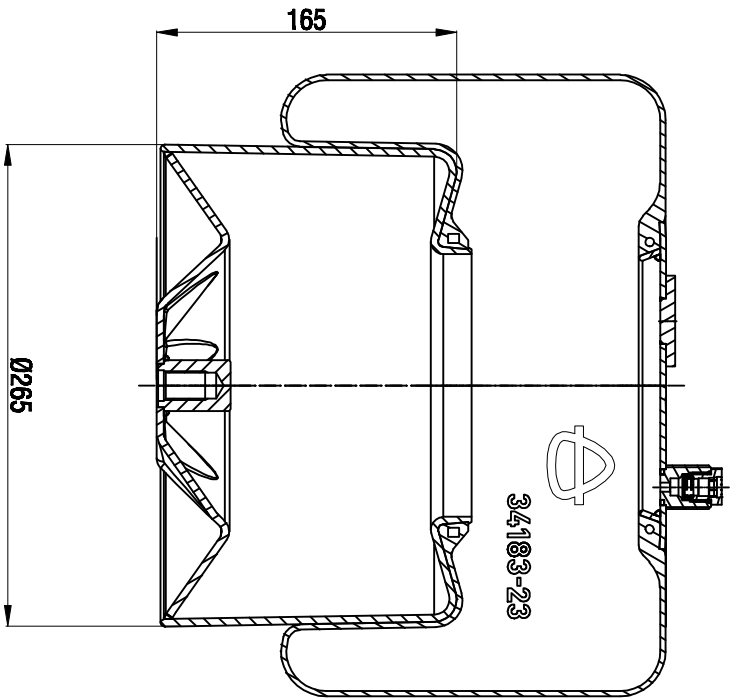
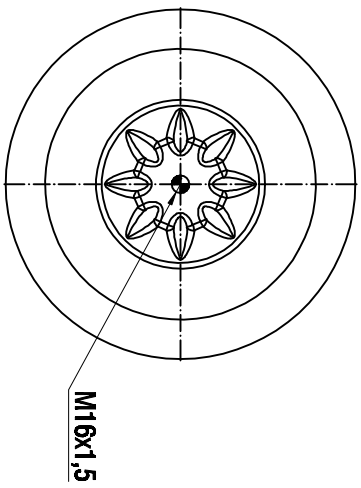


TOP VIEW



BOTTOM VIEW



Drawings are prepared for catalogue study.

1		↑			
0	Final	Final drawing	12.12.2012		
5		Change			
0		Do not create this drawing			
PAINT WEIGHT: ...kg					
		<input checked="" type="radio"/> Body/rod	<input checked="" type="radio"/> Combs steel	<input checked="" type="radio"/> Air lock	<input checked="" type="radio"/> Threaded hole
		<small>All rights of the document are the property of AKTAS. All trademarks and copyright, registered and/or not, belonging to AKTAS and other entities, provided by AKTAS, A.S.</small>			
PART NAME: 34183-23 K COMPLETE		ORDER NO:135041		