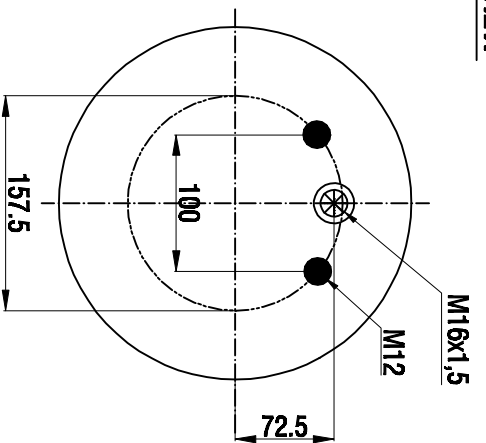
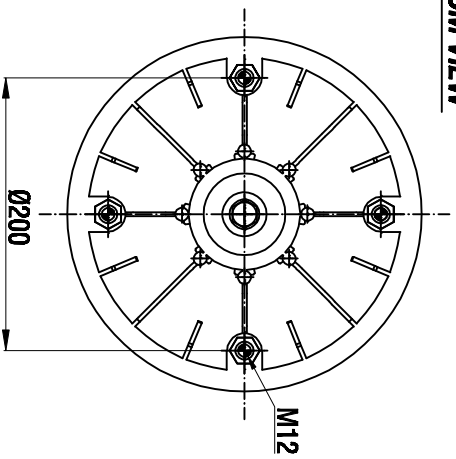


TOP VIEW




BOTTOM VIEW



Drawings are prepared for catalogue study.

№	Issue	Changes	Date	Drawn by	Checked by	Approved by
0	First drawing		12.12.2012			

PAINT WEIGHT: <input type="checkbox"/> kg	<input type="checkbox"/> Do not seal this drawing	<input checked="" type="checkbox"/> Isolated	All data of this drawing are the property of AKTAS. All the rights and responsibilities remain with the AKTAS Development Department unless other provisions are made.	ORDER NO.:135421
	<input checked="" type="checkbox"/> Change sheet	<input checked="" type="checkbox"/> Air lock		

PART NAME: 34922 KPP COMPLETE	
-----------------------------------------	-------------------------------------------------------------------------------------