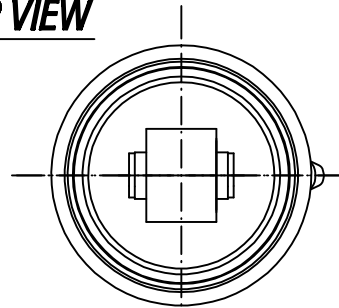
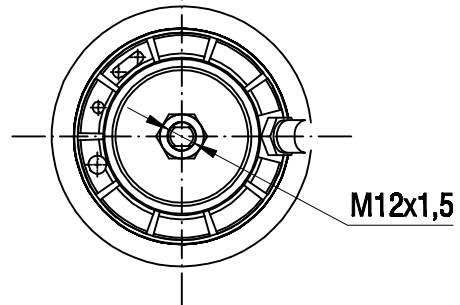


TOP VIEW



BOTTOM VIEW



Drawings are prepared for catalogue study.

↑ Changes	0	First drawing	17.05.2014			
		Changes	Date	Drawn by	Checked by	Approved by
PART WEIGHT:	Do not scale this drawing					
...Kg.	<input type="checkbox"/> Body/Shell <input checked="" type="checkbox"/> Cover/stand <input type="checkbox"/> Air inlet <input checked="" type="checkbox"/> Threaded hole					
<small>All rights of this document are the property of MAN Diesel. Reproduction and copying, reproduction and modification of any kind are prohibited without written permission of MAN Diesel.</small>						
PART NAME: A 3801401 K1 MAN Amortecedor Kabin K0R00						