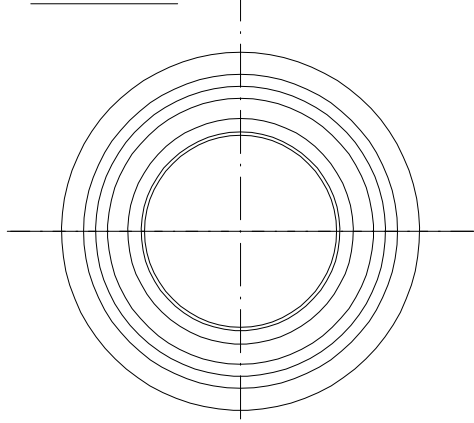
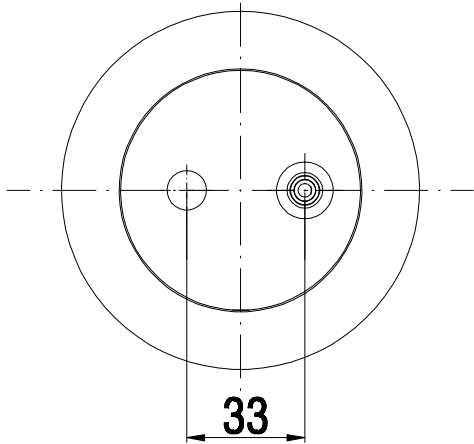


TOP VIEW



BOTTOM VIEW



Drawings are prepared for catalogue study.

| | | | | | | |
|--------------|--|----------------------------|--------------|-------------|-----------------|-------------|
| ↑ Changes | 0 | First drawing | 17.03.2014 | | | |
| | Issue | Changes | Date | Drawn by | Checked by | Approved by |
| PART WEIGHT: | Do not scale this drawing | ● Bolt/Stud | ⊗ Combo stud | ⊗ Air inlet | ⊕ Threaded hole | |
| ...Kg. | <small>All rights of this document are the property of AKOVA S.A. No one can use, copy, reproduce, make available being that only to their report without written permission of AKOVA S.A.</small> | | | | | |
| PART NAME: | | A 3001501 RVI Kabin Körüğü | | | | |