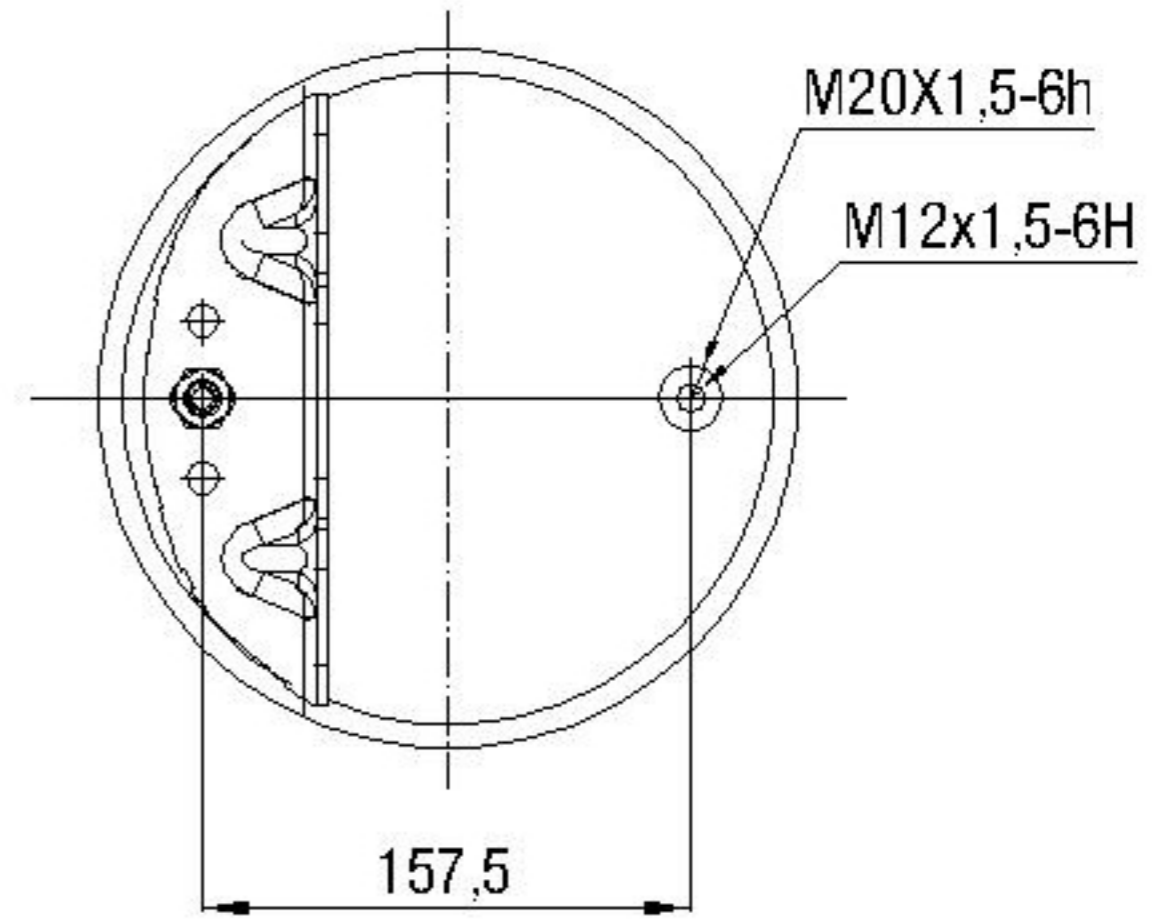


TOP VIEW



Drawings are prepared for catalogue study.

Changes	Issue	Changes	Date	Drawn by	Checked by	Approved by	
							0
PART WEIGHT:		Do not scale this drawing	● Bolt Stud	⊗ Combo stud	⊗ Air inlet	⊗ Threaded hole	
3,66 Kg.		All rights of the documents are the property of AKTAŞ. İzni olmadan başka yerde yayımlanması yasaktır.				ORDER NO: 123831	
PART NAME:		37008 AFM P Pistonsuz Körük (Aktaş)				