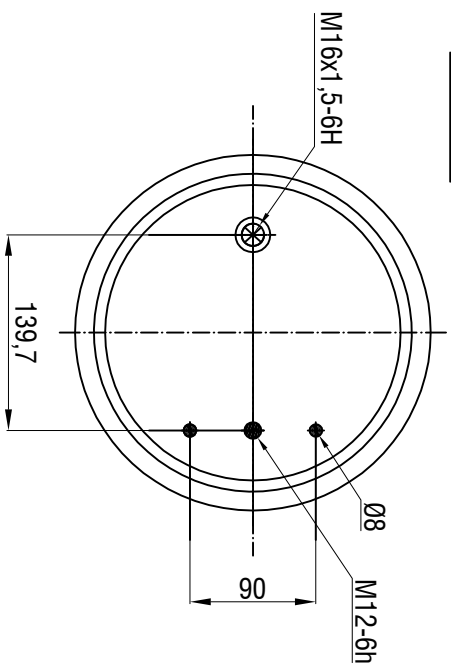
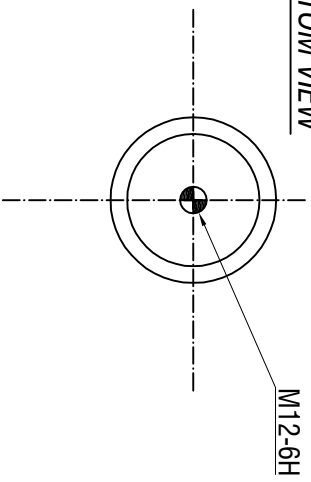


TOP VIEW



BOTTOM VIEW



Drawings are prepared for catalogue study.

Changes			
Issue	0	Changes	First drawing
Date	16.03.2018	Drawn by	
Checked by		Approved by	
PART: Do not scale WEIGHT: this drawing ...kg.			
<input checked="" type="checkbox"/> Bolt/Stud <input checked="" type="checkbox"/> Combo stud <input checked="" type="checkbox"/> Air inlet <input checked="" type="checkbox"/> Threaded hole		<small>All rights of this document are the property of AKTAS A.S. It can not be used, copied, reproduced or made available to any individual, in whole or part, without written permission of AKTAS A.S.</small>	
PART NAME: 38385 P SERVICE ASSEMBLY (AKTAŞ)			ORDER NO.: 123841